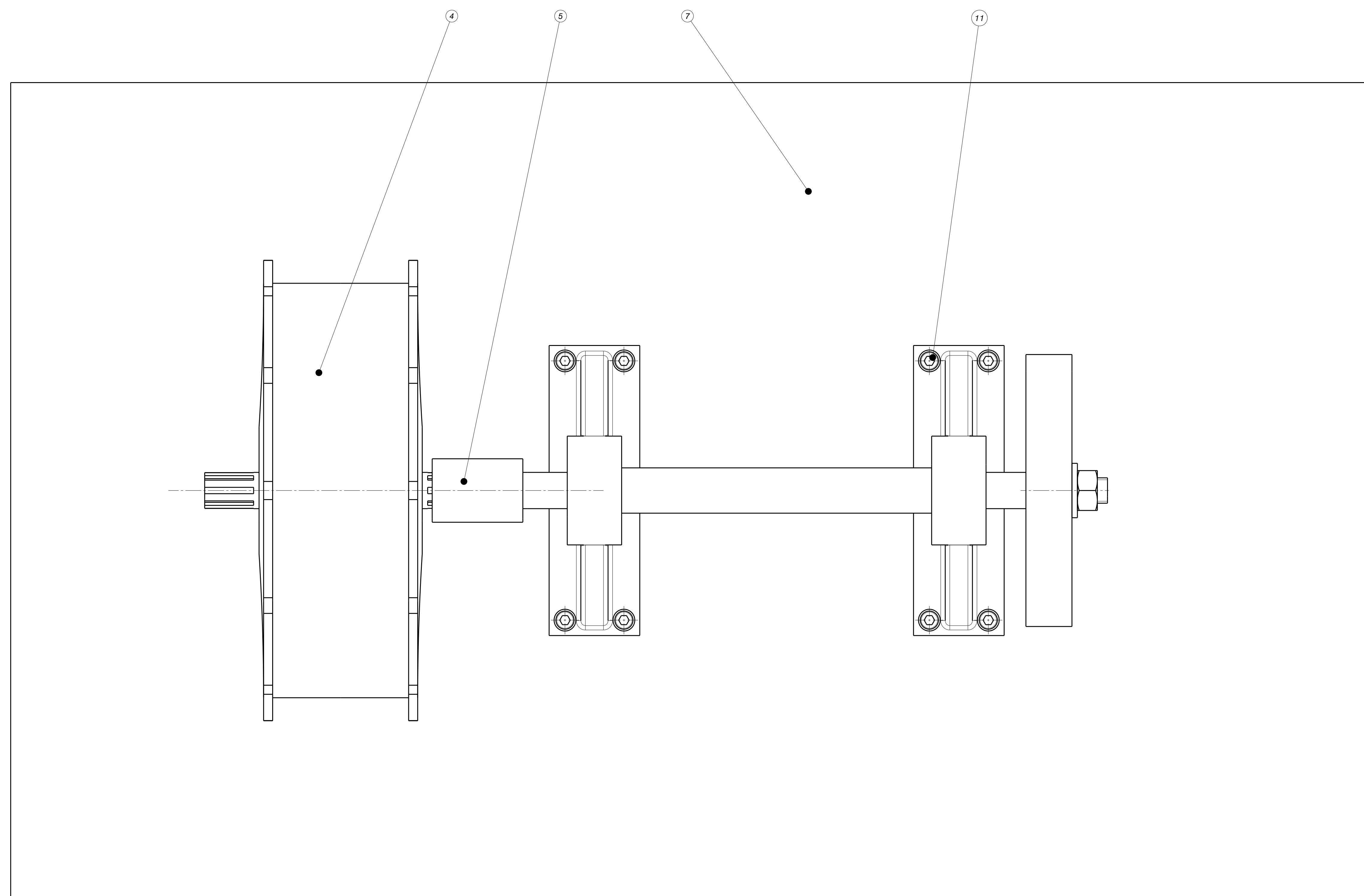
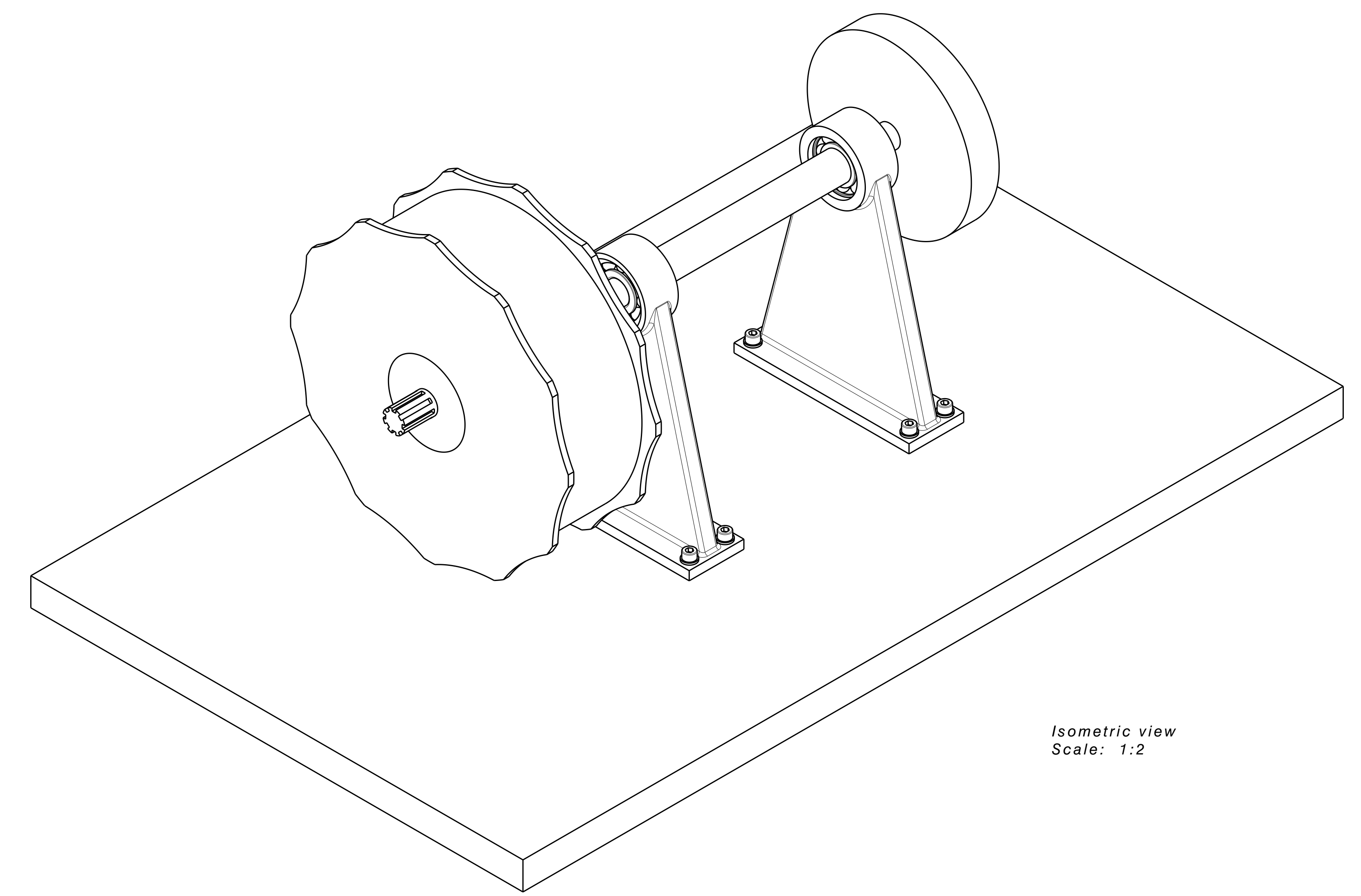


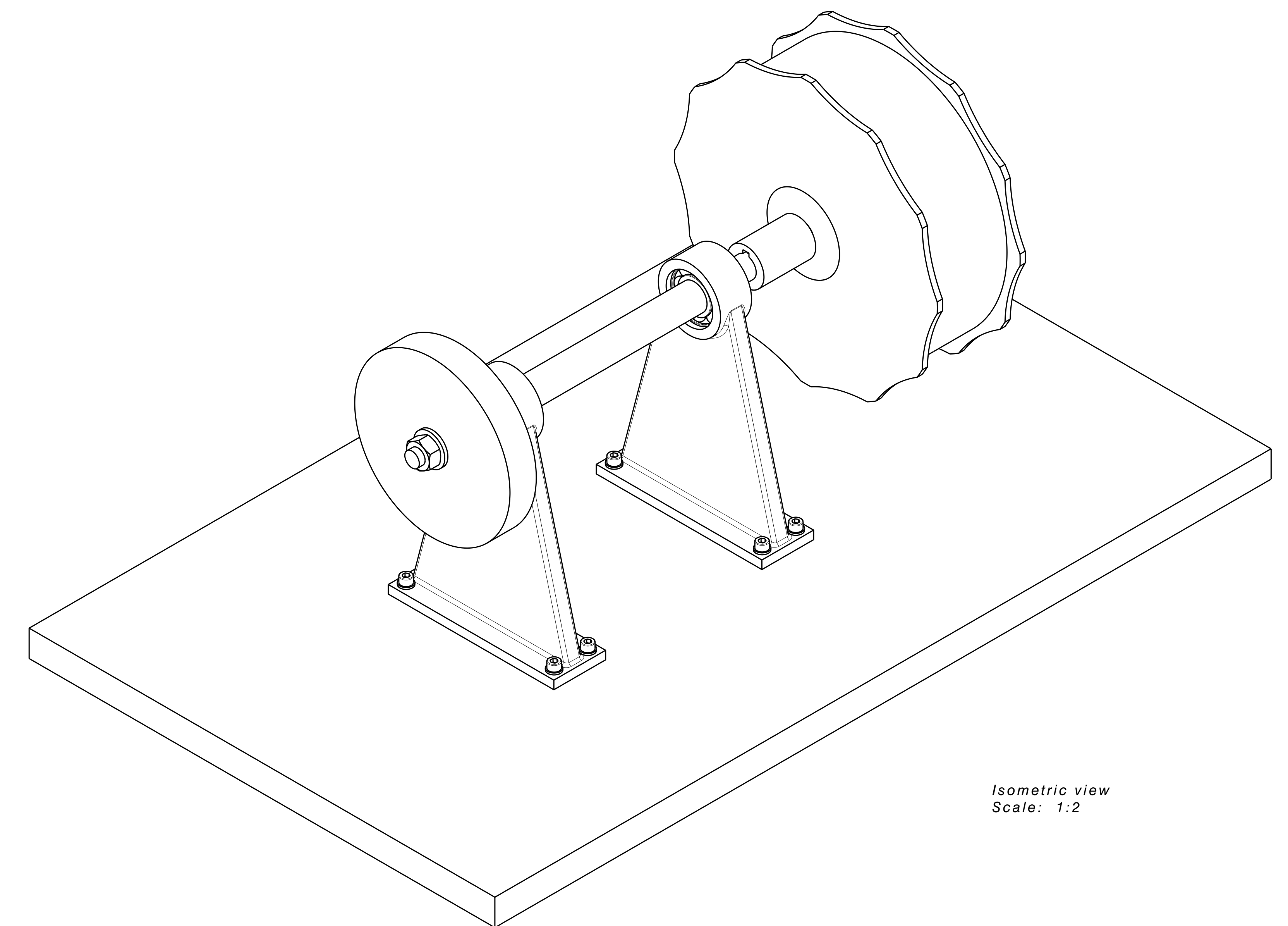
Front view
Scale: 4:5



Top view
Scale: 4:5



Isometric view
Scale: 1:2



Isometric view
Scale: 1:2

Nº	ITEM	QNT	MATERIAL
1	MANCAL	2	ALUMINIO
2	ROLAMENTO SKF 4304 STN9	2	AÇO
3	EIXO	1	AÇO SAE1010 A SAE1020
4	MOTOR	1	DIVERSOS
5	ACPLAMENTO	1	ALUMINIO
6	DISCO	1	AÇO SAE1010 A SAE1020
7	BASE	1	MADEIRA
8	ARRUELA DIN125 M14	1	AÇO
9	PORCA SEXTAVADA DIN934 M14	1	AÇO
10	ARRUELA DIN125 M6	8	AÇO
11	PARAFUSO DIN 913x25	8	AÇO
12	CHAVETA DIN9885 6x6x20	1	AÇO
13	CHAVETA DIN9885 5x5x20	1	AÇO
14	PORCA SEXTAVADA DIN934 M6	8	AÇO

QDT	MONTAGEM	FE140	16/APR/20	ARNALDO
REV	DESCRIPTION	DOCUMENT	DATE	APPROVER
<small>ALL MATERIALS COMPLIANT WITH END OF LIFE AND RECYCLING SPECIAL CHARACTERISTICS INDICATED IN THE DRAWING</small> <small>REGULATORY EC IN DIRECTIVE 1975/96 AND 1975/2001</small> <small>DOCUMENT FOLLOWING ISO STANDARDS</small>				
<small>ALL RIGHTS RESERVED FOR SPARE. THIS DRAWING SHALL NOT BE TOTALLY OR PARTIALLY REPRODUCED WITHOUT FORMAL AGREEMENT WITH THE INTELLECTUAL RIGHTS OF ITS OWNER.</small>		<small>MASTER MODEL</small> <small>LINKAGE</small>	<small>CAD FILE VS</small> <small>LINKAGE</small>	<small>APPROVED</small> <small>DATE</small>
<small>WEIGHT(S)</small> <small>SCALE</small>		<small>UNIT</small> <small>SCALE</small>	<small>SHEET</small> <small>T/T</small>	<small>DESIGNED</small> <small>DATE</small>
TITLE MONTAGEM DO DINAMÔMETRO				<small>ITEM CODE</small> XXXXXXXXXX

