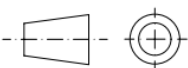
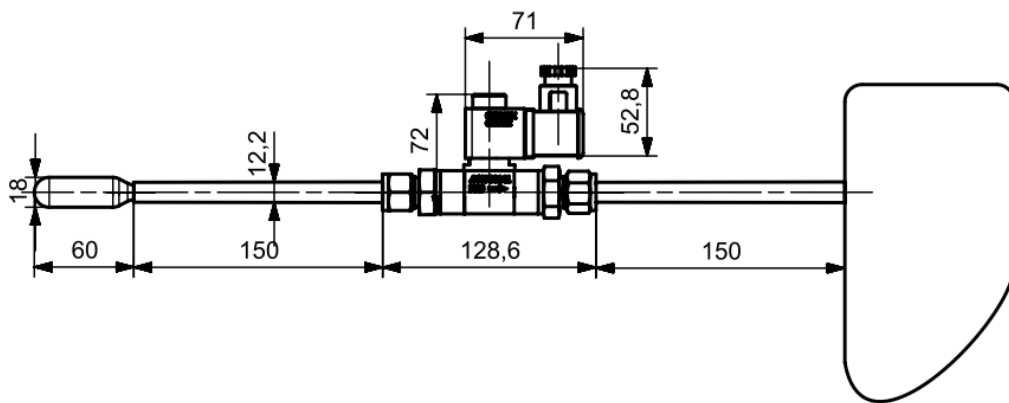
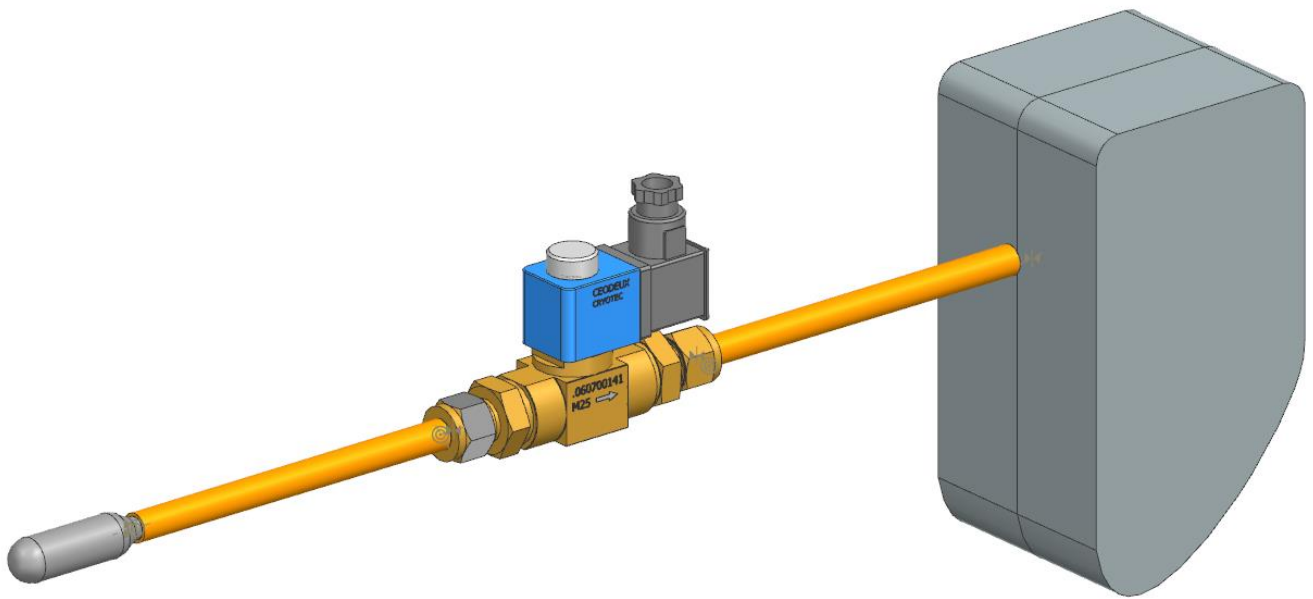

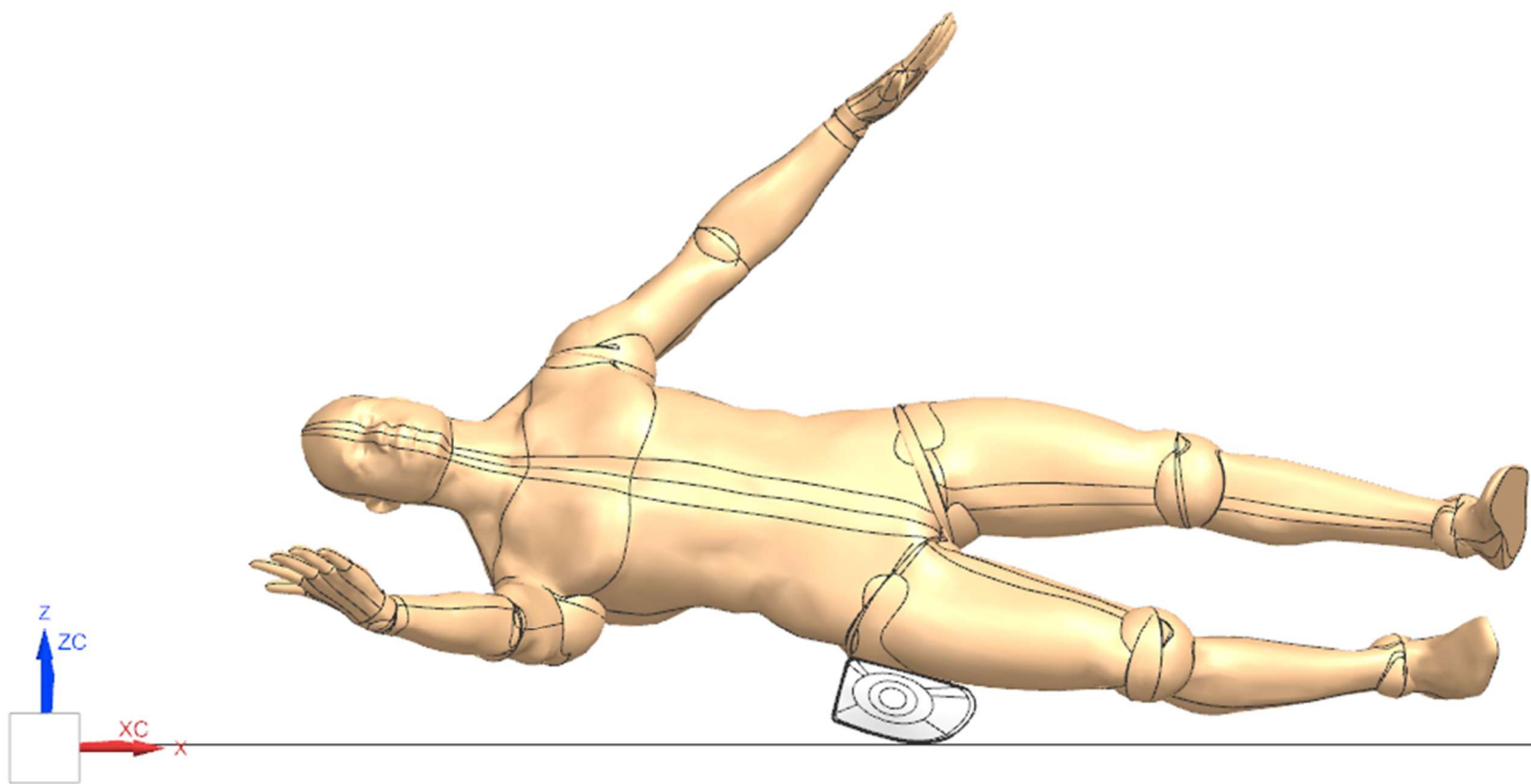
	Titolo: AIRBAG	Esc.: 1:2	Nome: STATERA		
	Data:	Prof.:	T.:	N°:	

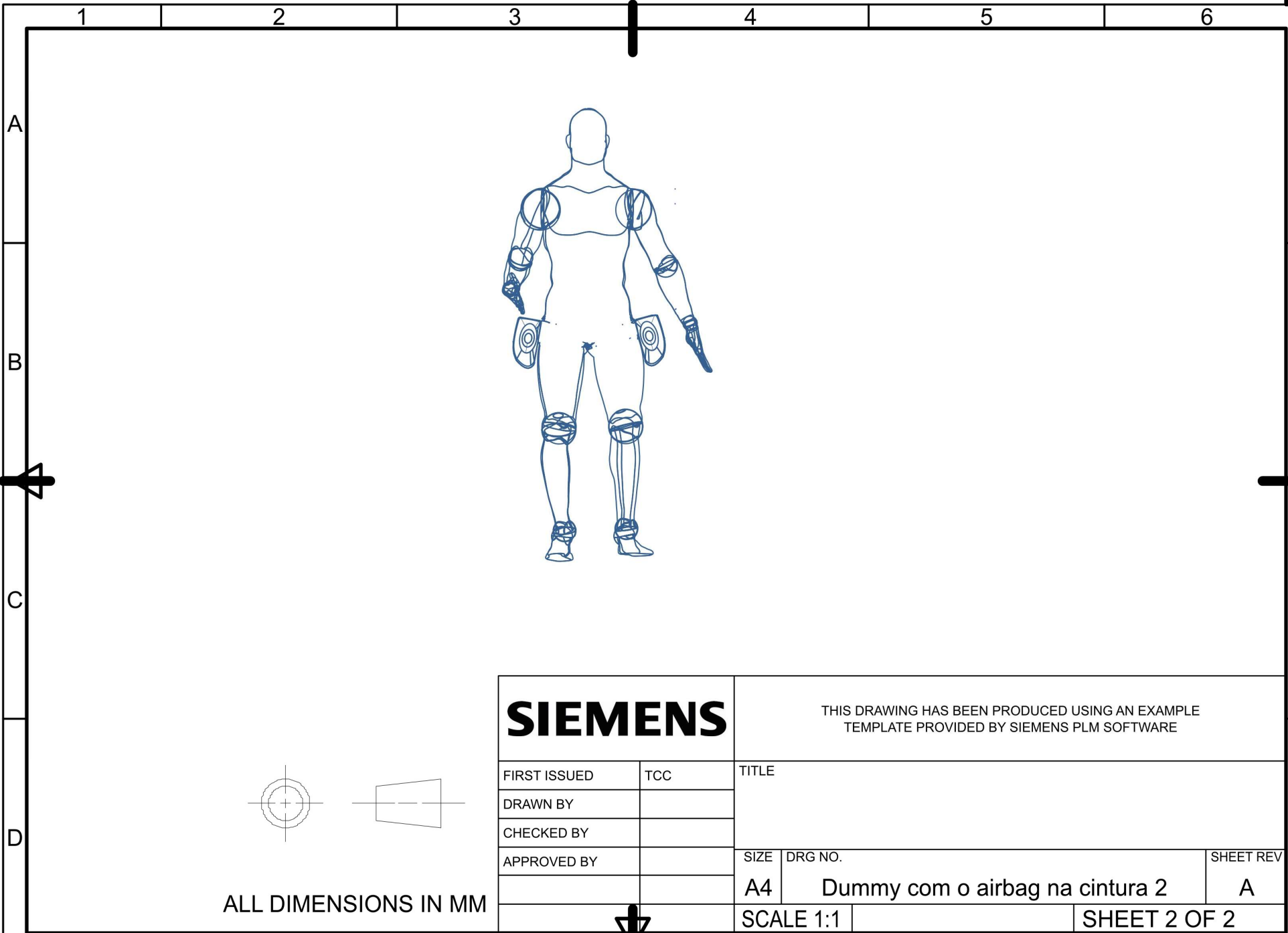


	Título:	CIRCUIT O DE AR	Esc.: 1:3	Nome:	STATERA		
			Data:	Prof.:	T.:	Nº:	

A1

Ac



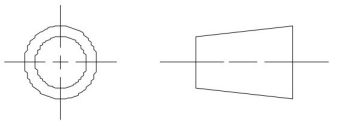


**SIEMENS**

THIS DRAWING HAS BEEN PRODUCED USING AN EXAMPLE  
TEMPLATE PROVIDED BY SIEMENS PLM SOFTWARE

FIRST ISSUED	TCC
DRAWN BY	
CHECKED BY	
APPROVED BY	

TITLE		
SIZE	DRG NO.	SHEET REV
A4	Dummy com o airbag na cintura 2	A
SCALE 1:1	SHEET 2 OF 2	



ALL DIMENSIONS IN MM

